

Jasper Peaks Laminate

Tools & Materials

- Laminate installation kit (including spacers and tapping block and pull bar)
- Premium grade laminate flooring underlayment (for flooring without an attached pad)
- Hammer
- Circular saw, mitre saw, table saw, jigsaw, or hand saw
- Carbide-tipped saw blades
- Vacuum
- Tape measure
- Damp-proof tape
- Tongue and groove adhesive (where modifying the profile is necessary)
- Sandpaper
- Level
- 6 mil/0.15 mm age-resistant, non-permeable polyethylene vapor barrier - for installations over cementitious surfaces
- Moisture Meter
- Felt Furniture Pads
- Gloves
- Safety glasses
- Dust Mask or Respirator

Caution: use safety glasses, gloves, and a dust mask or respirator when cutting this product. During the cutting process, laminate may create wood dust; install it in a well-ventilated area.

General Requirements for all Subflooring Substrates should be structurally sound with minimal deflection. Before installing flooring, ensure the subfloor is leveled within 3/16" in 10' (4.8 mm in 3 m) or 1/8" in 6' (3.2 mm in 1.8 m). Irregularities in the subfloor should be smoothed using a leveling compound. A 6mil (0.15mm) poly vapour barrier must be installed on crawl space floor*

**In construction terminology, a crawl space is defined as: "a shallow space below the living quarters of a house, normally enclosed by the foundation wall..."*

Wood

- Suspended wood subfloors should have a minimum of 18" (46 cm) of properly ventilated air space below the joist system.
- The moisture content of the wood subfloor should not exceed 12%.

Concrete

- New concrete subflooring should be cured for at least 90 days prior to installation.
- A moisture test should be performed on the subfloor. Using a calcium chloride test, values for moisture vapor shall be <5 lbs. /1,000 sq. ft. /24 hours per ASTM 1869 or an RH reading of 80% or less using an in-situ test as per ASTM 2170.

- You must install a 6 mil (0.15 mm) age-resistant, non-permeable polyethylene vapor barrier over the concrete subfloor. Tape seams with a damp-proof tape. The vapor barrier should be installed up the wall by 1" (2.5cm).

Carpeting

- Remove all carpeting and padding prior to installation.

Vinyl / Sheet Vinyl

- If existing flooring has underlayment, it must be removed.
- Vinyl must be well secured, level, and in good condition.
- If subfloor under the vinyl is concrete, you must install a 6 mil/0.15 mm age-resistant, non-permeable polyethylene vapor barrier over the floor. Tape seams with damp-proof tape. The vapor barrier should be installed up the wall by 1" (2.5cm).

Radiant Heating Systems

- Laminate flooring can be installed on under-floor radiant heating systems if the heating element is installed into wood or concrete subfloors.
- Lower the heating system to 60°F (16° C) for 1 week before installation.
- After installation, slowly increase the temperature in increments of 10°F (5° C) per day.
- Surface temperature must not exceed 85°F (27° C).
- Follow installation instructions for wood or concrete as outlined above.

Room & Material Preparation

- Remove all existing moulding.
- Allow laminate flooring to acclimate to room temperature (between 60°F to 80°F/16° C to 27° C) by placing the packaged flooring flat in the room for a minimum of 48 hours prior to installation. Do not remove the plastic wrapping. **[1]**
- Flooring should be installed and maintained in a climate-controlled environment with ambient temperature between 60°F - 80°F (16° C - 27° C) and a relative humidity of 35% - 70%.
- Check door clearances and make necessary adjustments before laying the flooring. Door mouldings (jamb) should be undercut to accommodate
- the thickness of the flooring as well as the underlayment (whether pre-attached or installed separately). **[2]**
- For products without underlayment, install premium grade laminate flooring underlayment per the manufacturer's instructions.
- **DO NOT install more than one layer of underlayment. Doing so will void the warranty.**

Important Information Before Starting

- If the room has electric baseboard heaters, leave a minimum of ½" (127 mm) between the surface of the flooring and the bottom of the heaters, allowing the heat to circulate.
- Use T-mouldings for rooms wider or longer than 33' (10 m) and openings less than 4' (1.2m).
- Determine which direction to lay the planks. If installing in a narrow hallway or small room, the area will appear larger if the flooring is laid parallel to the longest wall.
- Inspect each plank in proper lighting conditions for defects, prior to installation. Do not install defective planks; installation of defective planks implies acceptance of material.
- Work out of several cartons at the same time to ensure a mixture of colour and shade.
- A 3/8" (10 mm) spacer must be used along any vertical surface. When the project is completed, these spacers will be removed leaving a 3/8" (10 mm) expansion gap. This gap is necessary because laminate expands and contracts with temperature and humidity changes. The gap provided will prevent your flooring from being damaged during those changes.
- To provide a flush edge, any plank edge that would contact a spacer can have its profile cut off.
- The minimum length of a plank to either begin or end a row is 8" (20 cm). The minimum joint offset between rows is 12" (30 cm). [3]
- When assembling the planks, especially in the first row, you must make sure that the pieces are locked in square and flush. This will make subsequent row assembly easier.

Wet Areas

- Do not install in saunas, swimming pool areas, and other similar extreme wet areas.

Installation Procedure

1. Measure the width and length of the room. Determine the width of your starting row so that the first and last rows in the room are the same upon completion.
2. The flooring should be laid from left to right with the long side groove facing you.
3. Using the predetermined measurements from step 1, cut the first plank [4] and place it against the spacers along the wall. [5] In the event of an uneven wall, trace the contour onto the plank and cut.
4. Prepare a second plank and place its short side tongue into the short side groove of plank one at a slight angle making sure to align the corners perfectly.
5. [6] Lay the plank flat on the floor. Continue this process until the end of the row.
6. Begin installing the second row, from left to right, by angling the plank to allow the tongue on the long side to slide into the groove of the plank in row one. [7] Maintain inward pressure (toward the previous row) while gently moving the

plank up and down as you slowly push the plank to the floor. Do not force the plank to the floor if the tongue is only partially inserted into the groove.

7. Install the next planks by placing its long side tongue into the previous rows long side groove near [1/8" (2-3mm)] the previous plank in the row. [8] Slide the plank left towards the previous plank until they touch. Slowly push the piece to the floor.
8. Once the plank is lying flat, use a tapping block and hammer to gently tap the plank's surface over the short side joint to lock the two panels. [9, 10]
9. Continue laying the floor from left to right, completing rows. [11]
10. Trim the planks to be used in the final row to the desired width while taking into consideration the necessary gap of 3/8" (10 mm) needed between the planks and the wall. [12] Install the final row as described in the previous steps.
11. Remove all spacers.

Installing Around Mouldings and Door Jambs In challenging areas such as door mouldings where planks can't be installed at an angle, it may be necessary to modify the joint. Begin by removing a portion of the groove from the planks being fitted to in the previous row by either planing or sanding. Once the material is removed apply a small amount of tongue and groove adhesive to the top of the subsequent planks tongue and install it by sliding it on the floor into place. Wipe up excess adhesive with a damp cloth and warm water. Tape joint until adhesive sets.

Alternatively, in some cases the joints can be tapped flat using a proper tapping block and gently tapping into place.

Care and Maintenance Do & Do Not's

Do	Do Not
Do vacuum using a soft bristle attachment	Do not use vacuum with beater bar
Do use a humidifier, dehumidifier, or air conditioner to help maintain temperature and humidity levels	Do not let your ambient temperature in the room fall outside the range of 60°F - 80°F and a relative humidity of 35% - 70%.
Do use cleaning solutions specially formulated for laminate flooring	Do not use oil soaps, wax based cleaning solutions, or other chemicals that have abrasive properties
Do use a slightly damp cloth or paper towel to clean up spills immediately	Do not wet mop or use a steam mop
Do clean up spills immediately	Do not leave standing liquids of any kind
Do apply cleaning solution directly to cloth or mop	Do not spray liquids directly on floor

Do use protective mats under chairs with castors. Place felt floor protectors under furniture legs	Do not try to slide heavy objects across floor
Do use entry mats	Do not try sealing your floor with any aftermarket floor sealer

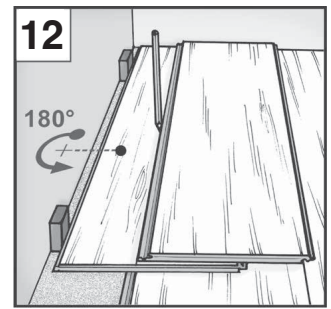
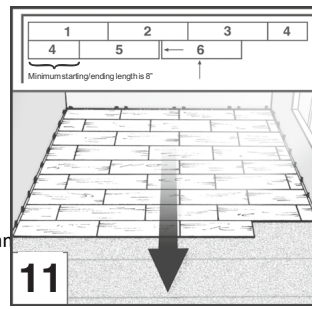
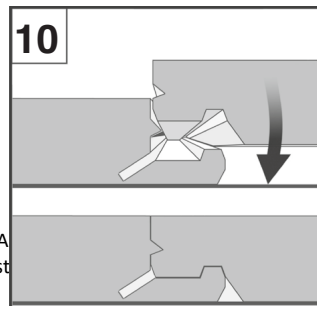
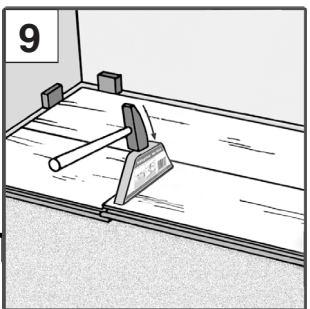
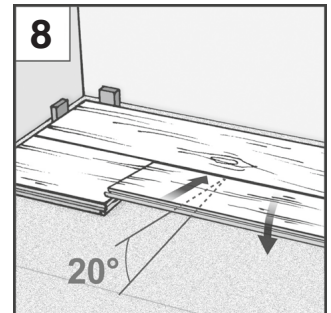
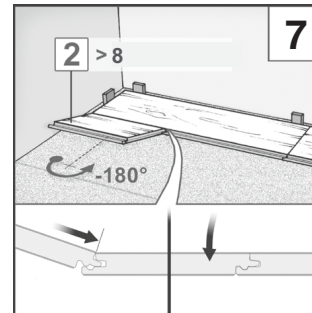
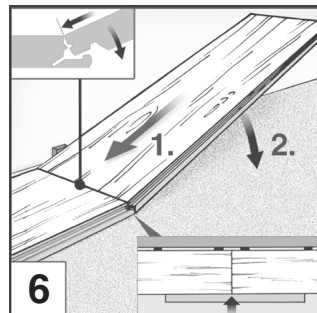
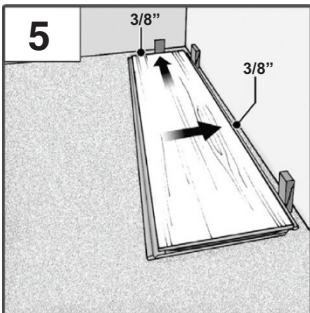
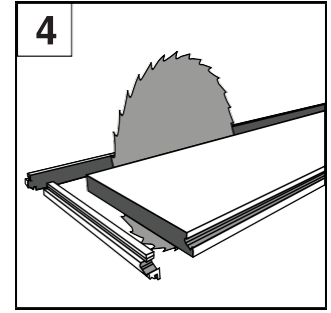
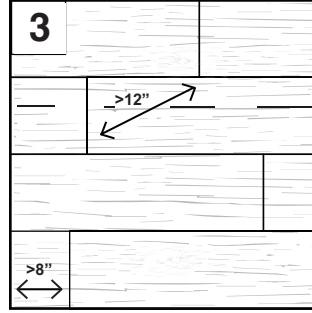
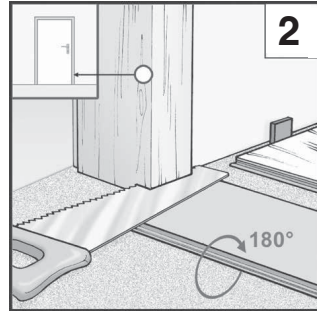
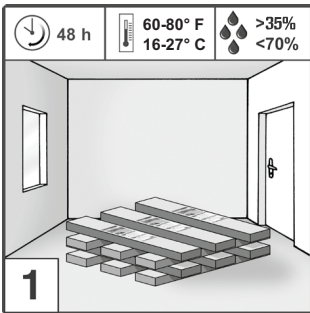
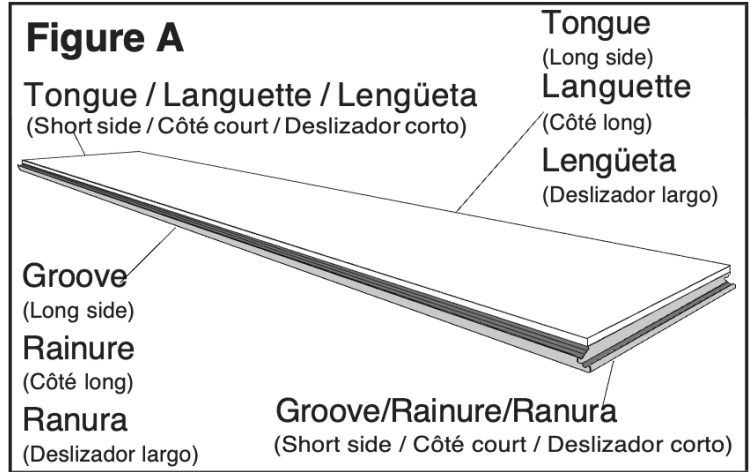
be assembled and disassembled several times. In the event a plank is damaged enough that it must be replaced you can disable the flooring back the point of the damaged plank. Simply replace the damaged plank with the new one and reassemble your floor.

Minor Repair Instructions

If accidental damage occurs, minor scratches or dents can be repaired using a Flooring Touchup or Color-fill Kit.

Laminate Board Replacement Repairs

Laminate may



ATTN: INSTALLERS CAUTION: WOOD DUST

Sawing, sanding, and machining wood products can produce wood dust. Airborne wood dust can cause respiratory, skin, and eye irritation. The International Agency for Research on Cancer (IARC) has classified wood dust as a nasal carcinogen in humans.

PROPOSITION 65 WARNING: WARNING: Drilling, sawing, sanding, or machining wood products can expose you to wood dust, a substance known to the State of California to cause cancer. Avoid inhaling wood dust or use a dust mask or other safeguards for personal protection. This product also can expose you to chemicals including formaldehyde, which are know to the State of California to cause cancer. For more information go to www.P65Warnings.ca.gov

PRECAUTIONARY MEASURES: Power tools should be equipped with a dust collector. If high dust levels are encountered use an appropriate NIOSH designated dust mask. Avoid dust contact with skin and eyes. First Aid Measures in case of irritations: In case of irritation flush eyes and skin with water for at least 15 minutes.

WARNING! DO NOT MECHANICALLY CHIP OR PULVERIZE EXISTING RESILIENT FLOORING, BACKING, LINING FELT, ASPHALTIC “CUTBACK” ADHESIVES OR OTHER ADHESIVES.

PREVIOUSLY INSTALLED RESILIENT FLOORING MAY CONTAIN EITHER ASBESTOS FIBERS OR CRYSTALLINE SILICA. THE PRODUCTS IN THIS BOX DO NOT CONTAIN ASBESTOS.

Avoid creating dust. Inhalation of such dust is a cancer and respiratory tract hazard. Smoking by individuals exposed to asbestos fibers greatly increases the risk of serious bodily harm. Unless positively certain that the product is a non-asbestos containing material, you must presume it contains asbestos. Regulations me require that the material be tested to determine asbestos content and may govern removal and disposal of material. See current edition of the Resilient Floor Covering Institute (RFCI) publication “Recommended Work Practices for Removal of Resilient Floor Coverings” for detailed information and instructions on removing all resilient covering structures.